



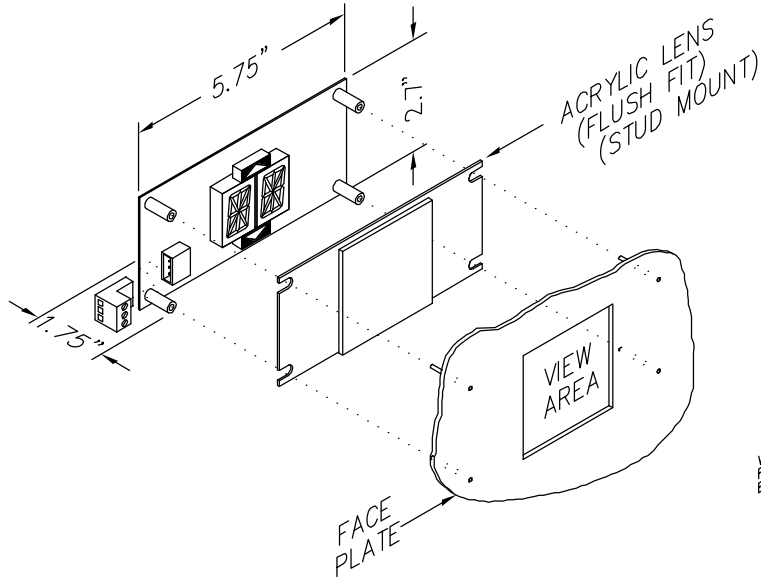
C.E. Electronics, Inc.  
 2107 Industrial Drive  
 Bryan, OH 43506  
 PH (419) 636-6705 FX (419) 636-2516  
 www.ceelectronics.com

# MH110-XXX

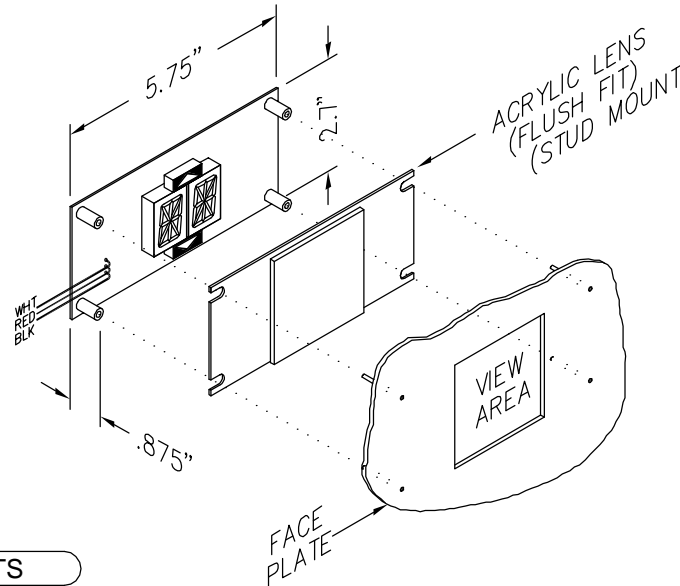
Ver. 2 Rel. 11/26/08

MICRO COMM<sup>®</sup>  
 DISPLAYS

## FOR FLUSH MOUNT APPLICATIONS

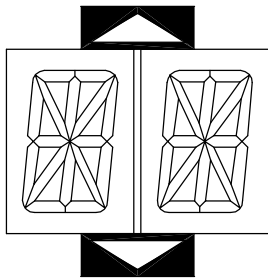


## FOR SURFACE MOUNT APPLICATIONS



### RENEWAL PARTS

Lens: 104-3010 RED  
 Lens: 104-6018 GRAY

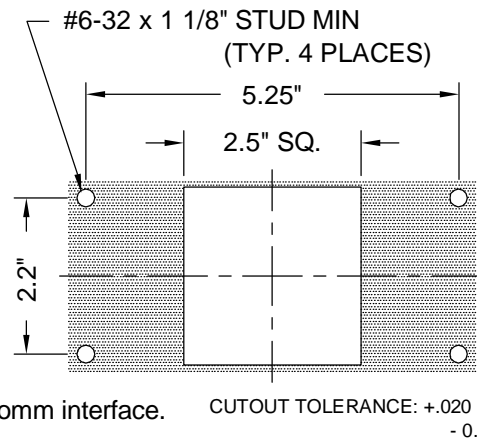


1" CHARACTER

### NOTE:

1. This is not a stand alone unit. Must be used in conjunction with a Micro Comm interface.
2. For single digit display, consult factory.

### PANEL PREPARATION



## REMOTE DISPLAY INDICATOR "RDI"

Segmented LED, digital indicator for floor position display, as well as car direction. Any alphanumeric character can be displayed in single digit floor designations. Arrow can be centered over right digit when required.

### Typical Applications

- Car-OP Panel
- Transom-car or Hall
- Surface mount fixtures

### Features

- Fast, 3-wire hookup
- Latched inputs
- Cross wire protected
- Self testing
- Alternate message
- Passing chime output
- Error detection and correction feature

### TO ORDER - SPECIFY MH110 - X X X

COLOR:  
 "R" = RED  
 "A" = AMBER  
 "G" = GREEN

### CONNECTION TYPE:

"W" = WIRES (SURFACE MOUNT)  
 "C" = CONNECTOR (FLUSH MOUNT)

### LENS:

"R" = RED  
 "G" = GRAY  
 "X" = NO LENS