

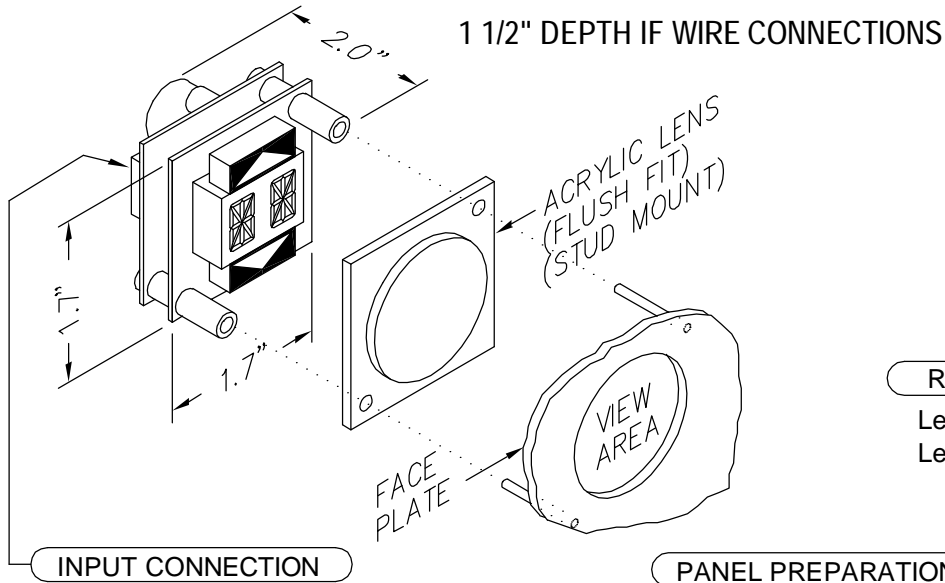


C.E. Electronics, Inc.  
 2107 Industrial Drive  
 Bryan, OH 43506  
 PH (419) 636-6705 FX (419) 636-2516  
 www.ceelectronics.com

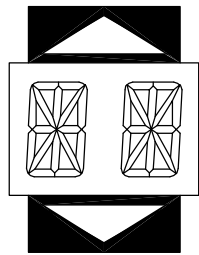
# ME205-XXX

Ver. 6 Rel. 5/28/09

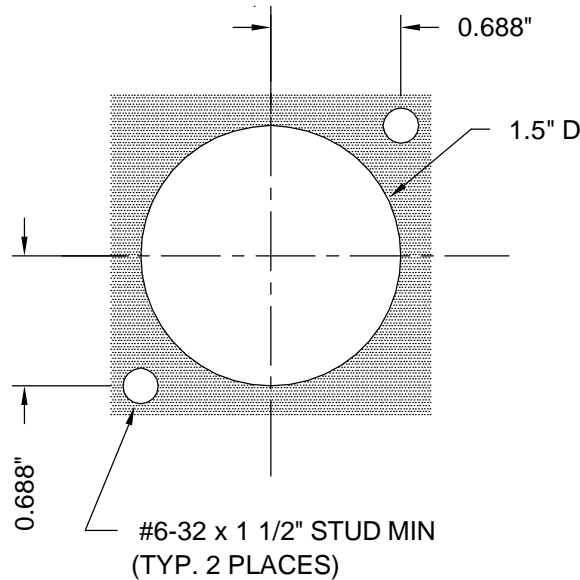
MICRO COMM<sup>®</sup>  
 DISPLAYS



RENEWAL PARTS  
 Lens: 104-0511 RED  
 Lens: 104-6016 GRAY



1/2" CHARACTERS



CUTOUT TOLERANCE: +.020  
 - 0.0

## REMOTE DISPLAY INDICATOR "RDI"

Segmented LED, digital indicator for floor position display, as well as car direction. Any alphanumeric character can be displayed in either single or double digit floor designations.

### Typical Applications:

- Replacement for IEE rear projection bulb indicators for lobby and security panels. For limited space applications, such as hall station retrofits.

### Features:

- Fast, 3-wire hookup
- Latched inputs
- Cross wire protected
- Self testing
- Alternate message
- Error detection and correction feature
- Passing chime not available on this unit

TO ORDER - SPECIFY ME205 - X X X

\*COLOR:  
 "R" = RED  
 "G" = GREEN  
 "B" = BLUE

LENS:  
 "R" = RED  
 "G" = GRAY  
 "X" = NO LENS

\* Arrows available in RED ONLY.

"W" = WIRE CONNECTIONS  
 <BLANK> = GREEN CONNECTOR

### NOTE:

1. This is not a stand alone unit. Must be used in conjunction with a Micro Comm interface.