

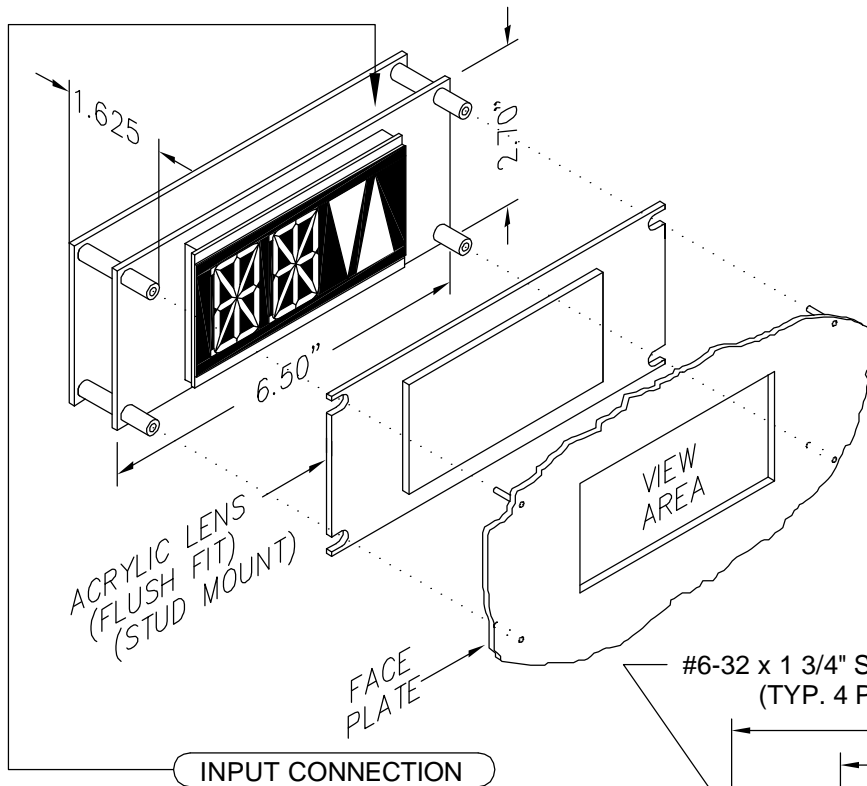


C.E. Electronics, Inc.
 2107 Industrial Drive
 Bryan, OH 43506
 PH (419) 636-6705 FX (419) 636-2516
 www.ceelectronics.com

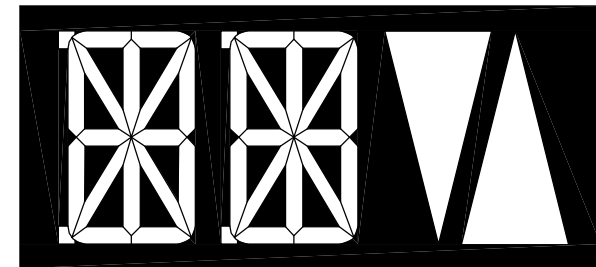
MB215-WX

Ver. 3 Rel. 11/26/08

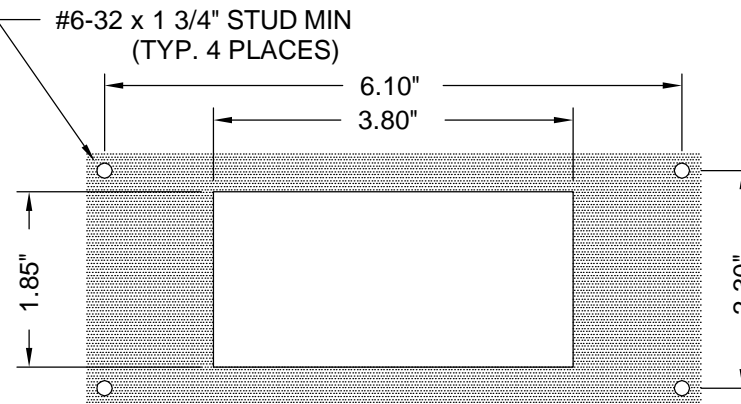
MICRO COMM[®]
 DISPLAYS



RENEWAL PARTS
 Lens: 104-7005 CLEAR



1.5" (40mm) LCD DISPLAY



BLUE BACKGROUND LIQUID CRYSTAL DISPLAY

Blue Liquid crystal display indicator with white digits and arrow for floor position as well as car direction. Any alphanumeric character and up/down arrows can be displayed in either single or double digit floor designations.

Typical Applications

- Car-OP Panel
- Transom
- Car and hall fixtures

Features

- Long life LED backlighting
- Fast, 3-wire hookup
- Latched inputs
- Cross wire protected
- Self testing
- Alternate message
- Passing chime output
- Error detection and correction feature

TO ORDER - SPECIFY MB215 -W X

LENS:
 "C" = CLEAR
 "X" = NO LENS

NOTE:

1. This is not a stand alone unit. Must be used in conjunction with a Micro Comm interface.