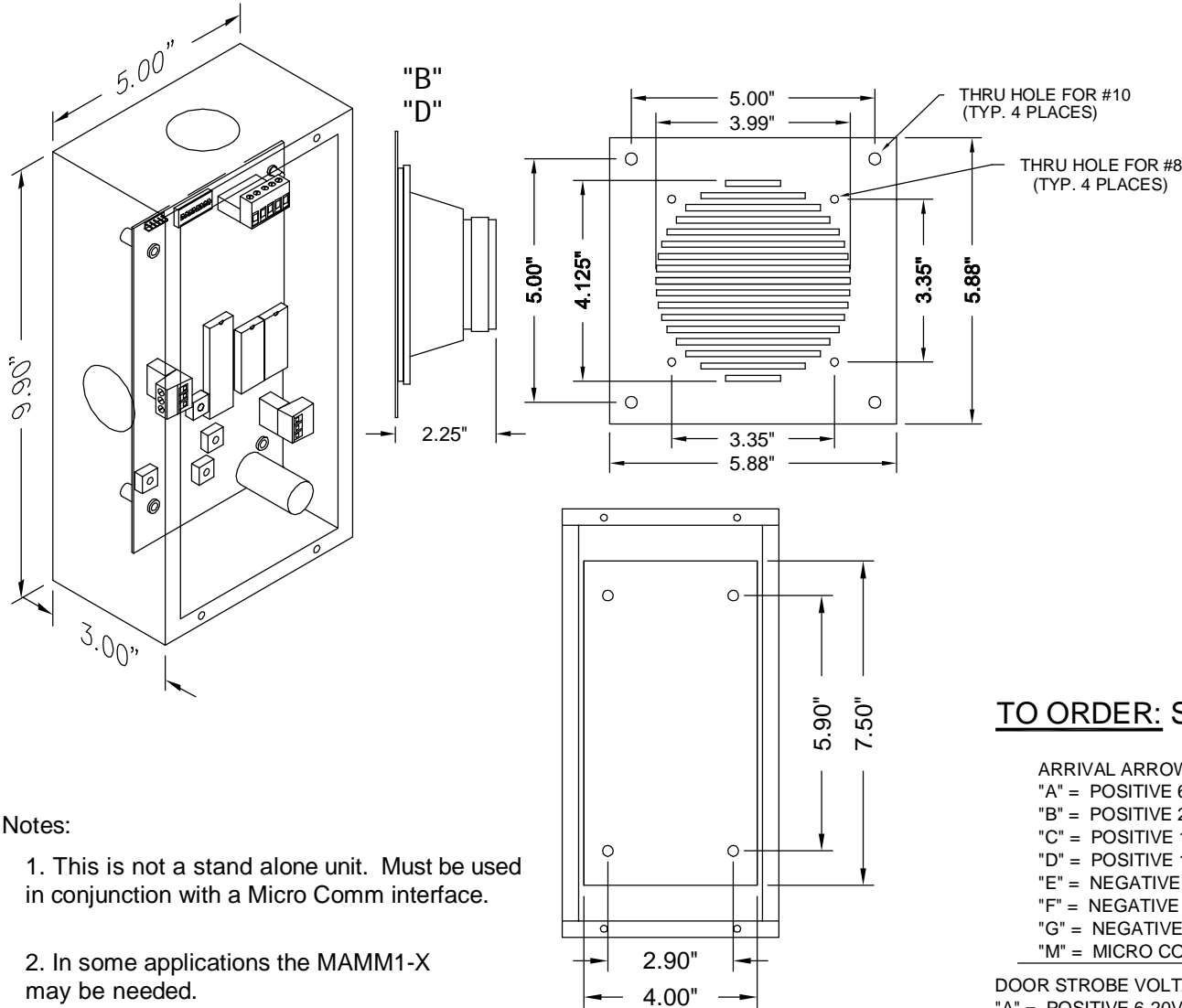




AMCUM-XXXX

Ver. 5 Rel. 03/30/10

MICRO COMM®



DIGITIZED FLOOR ANNUNCIATOR

The basic system includes up to eighty different messages, with a total message time of 5 minutes. The unit can be used on the Micro Comm 3 wire network with no additional wires. An option for up/down and door strobe can be signalled at the device.

Features:

- Custom vocabulary
- Up to 5 min. of speech
- Human voice
- Male or female voices
- Add on to existing P.I.'s
- Micro Comm inputs
- Conforms to AGAAG 4.10.13
- Up to 3 output control lines
- Includes sealed mid-range speaker

Notes:

1. This is not a stand alone unit. Must be used in conjunction with a Micro Comm interface.
2. In some applications the MAMM1-X may be needed.
3. The digitized Voice Annunciator (AMCUM-XXXX) must be mounted within 20' of the speaker or damage will result! C.E. #40040001 matching transformers may be purchased for greater distances - consult the factory.
4. If a special voltage is required, please consult factory.

TO ORDER: SPECIFY AMCUM - X X X X

ARRIVAL ARROW VOLTAGE:

- "A" = POSITIVE 6-20VAC/DC, 24VAC
- "B" = POSITIVE 24-48VDC, 24-48VAC
- "C" = POSITIVE 120VAC
- "D" = POSITIVE 125VDC
- "E" = NEGATIVE 6-20VDC
- "F" = NEGATIVE 24-48VDC
- "G" = NEGATIVE 125VDC
- "M" = MICRO COMM ARRIVAL

DOOR STROBE VOLTAGE/S-BUTTON VOLTAGE:

- "A" = POSITIVE 6-20VAC/DC, 24VAC
- "B" = POSITIVE 24-48VDC, 24-48VAC
- "C" = POSITIVE 120VAC
- "D" = POSITIVE 125VDC
- "E" = NEGATIVE 6-20VDC
- "F" = NEGATIVE 24-48VDC
- "G" = NEGATIVE 125VDC
- "M" = MICRO COMM STROBE

BUILD:

- "B" = with BOX
- "X" = without BOX

SPEAKER FORMAT:

- "B" = 2.25" DEEP
- "D" = 2.25" WATER RESISTANT
- "C" = SPECIAL
- "X" = NO SPEAKER