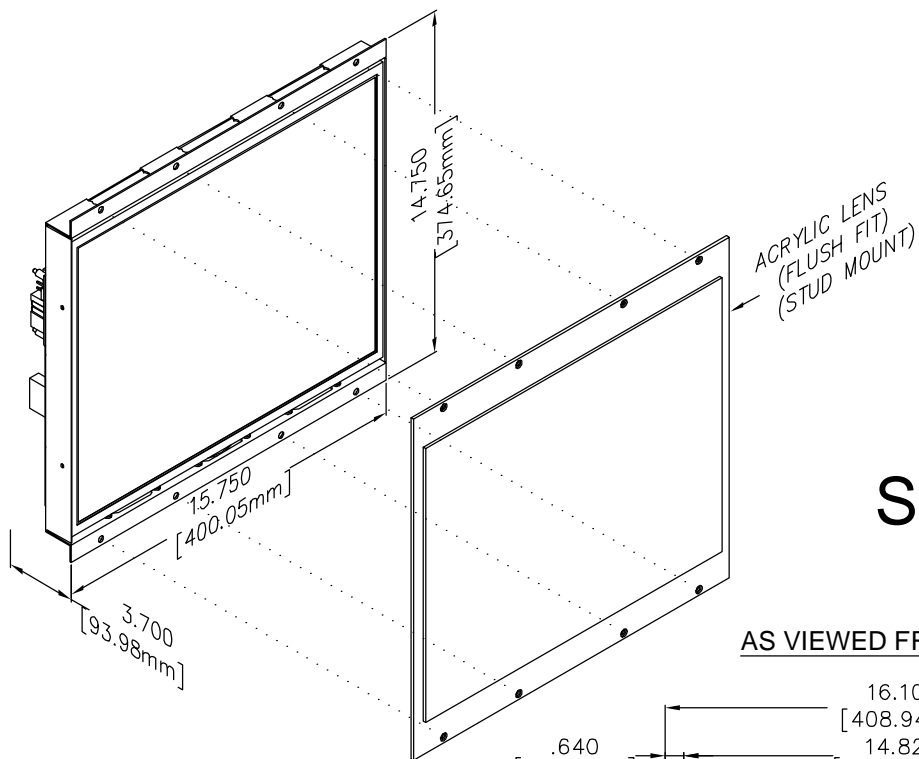




# EX190-AXX

Ver. 2 Rel. 08/16/2010

ELITE PI®



## 19" Elite PI

The Micro Comm Elite PI is the most flexible position indicator available. With the Elite PI Designer software, you can customize your own position indicator by selecting background colors and textures, fonts, and arrow styles. This system is so flexible you can even determine where the display elements appear on the screen. In addition to design flexibility, the Micro Comm Elite PI can display floor, priority, and time-based messages.

# SPECIAL ORDER

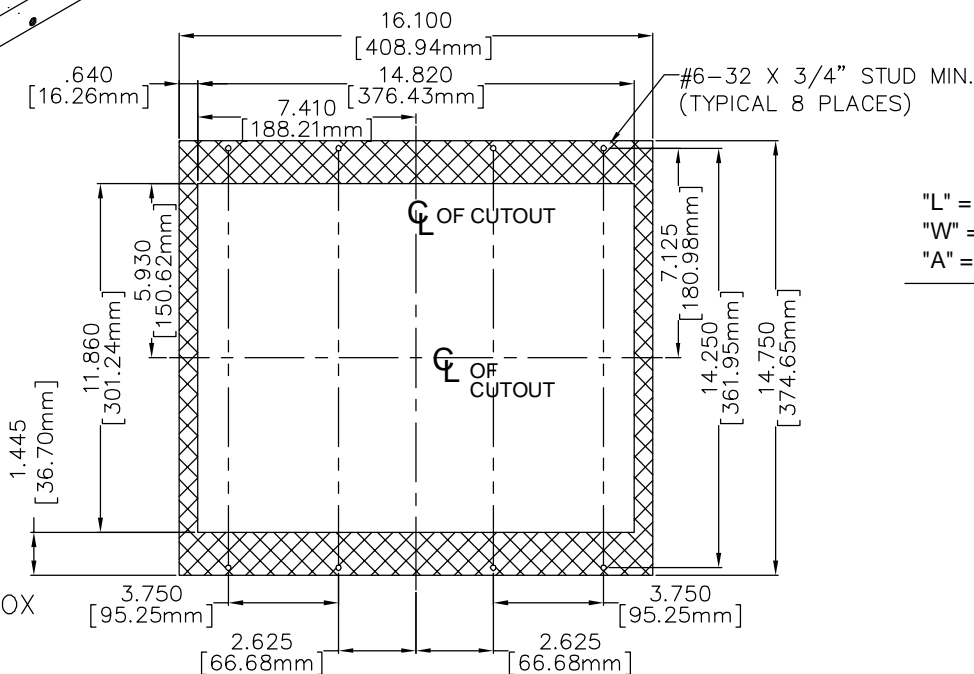
### Typical Applications

- Car operating panel
- Car transom
- Lobby

### Features:

- Passing chime output
- Live video (optional)
- Self testing
- Low profile
- Elite PI Designer software
- Elite PI Transfer software
- Multi-car capabilities for hallway use

AS VIEWED FROM FRONT



## TO ORDER: - EX190 - A XX

"L" = STANDARD  
 "W" = COMPOSITE VIDEO  
 "A" = AUXILIARY PANEL LINK

TIME ZONE  
 SEE RELATED DRAWING

VIDEO TYPE:  
 "N" = NTSC  
 "P" = PAL

UNIT IS 3.70" DEEP.

WE RECOMMEND A 4.00" DEPTH BOX  
 Additional space is required for wiring.

★ DIMENSIONS SUBJECT TO CHANGE