

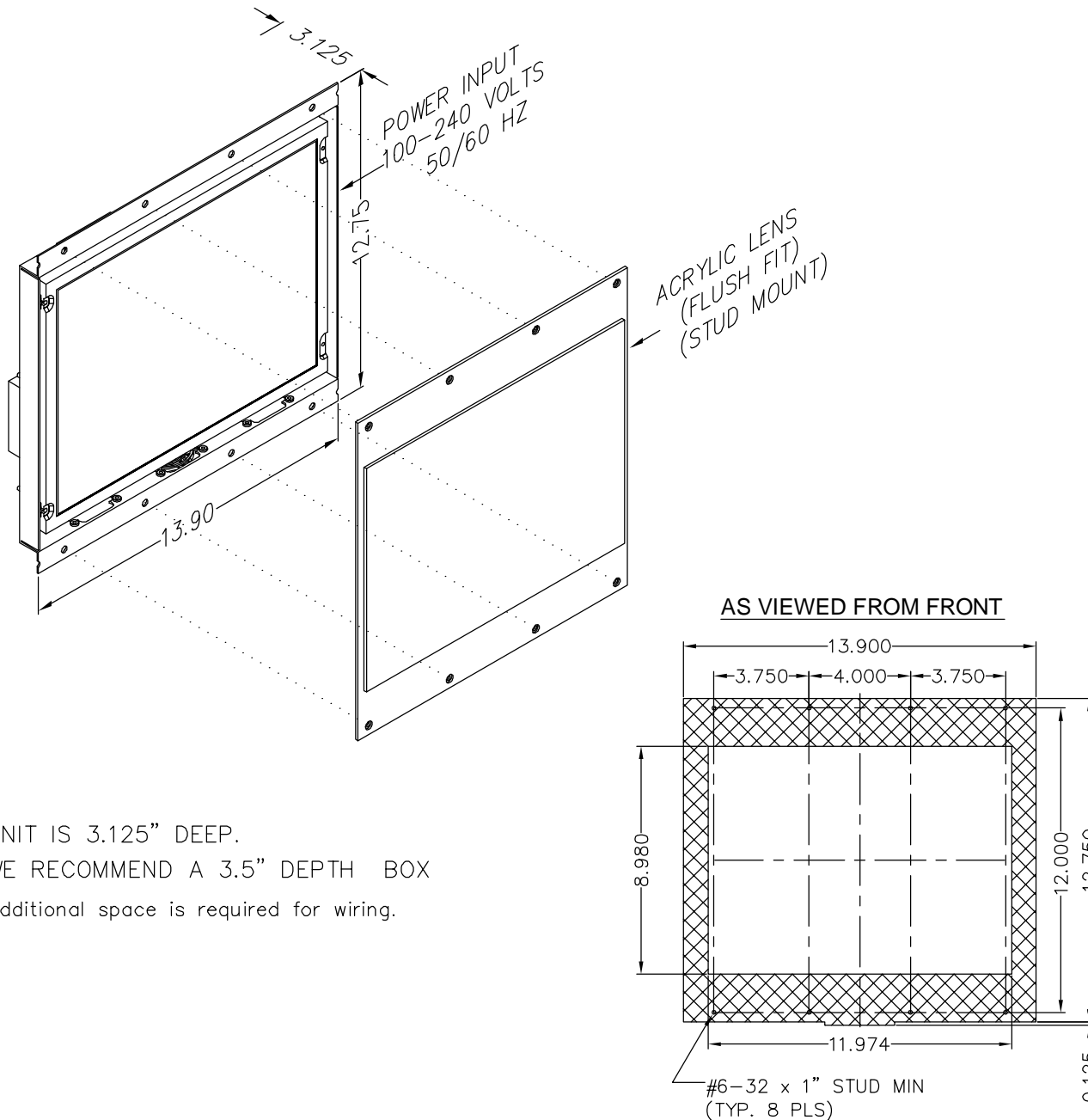


C.E. Electronics, Inc.
 2107 Industrial Drive
 Bryan, OH 43506
 PH (419) 636-6705 FX (419) 636-2516
 www.ceelectronics.com

EX150-CXX

Ver. 1 Rel. 09/19/07

ELITE PI[®]



UNIT IS 3.125" DEEP.
 WE RECOMMEND A 3.5" DEPTH BOX
 Additional space is required for wiring.

15" Elite PI

The Micro Comm Elite PI is the most flexible position indicator available. With the Elite PI Designer software, you can customize your own position indicator by selecting background colors and textures, fonts, and arrow styles. This system is so flexible you can even determine where the display elements appear on the screen. In addition to design flexibility, the Micro Comm Elite PI can display floor, priority, and time-based messages.

Typical Applications

- Car operating panel
- Car transom
- Lobby

Features:

- Passing chime output
- Live video (optional)
- Self testing
- Low profile
- Elite PI Designer software
- Elite PI Transfer software
- Multi-car capabilities for hallway use

TO ORDER: - EX150 - C XX

"L" = STANDARD
 "W" = COMPOSITE VIDEO
 "A" = AUXILIARY PANEL LINK

TIME ZONE
 SEE RELATED DRAWING

VIDEO TYPE:
 "N" = NTSC
 "P" = PAL

RELATED DRAWINGS

DESCRIPTION	DRAWING NAME
PANEL PREP.	PP150-1
DETAIL DIM.	DD150-1
TIME ZONES	T-ZONES