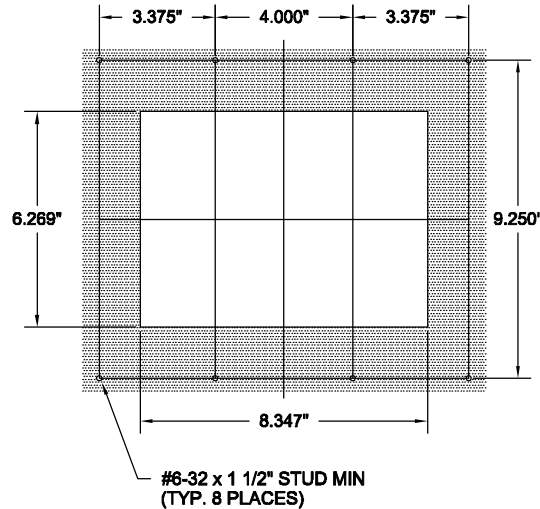


UNIT IS 2.75" DEEP.

REMOTE & AUXILIARY: 2.125" DEEP.

Standard lens: add .125".

Additional space may be required for wiring.



10.4" Elite PI

The Micro Comm Elite PI is the most flexible position indicator available. With the Elite layout software, you can customize your own position indicator by selecting background colors and textures, fonts, and arrow styles. This system is so flexible you can even determine where the display elements appear on the screen. In addition to design flexibility, the Micro Comm Elite PI can display floor, priority, and time-based messages.

Typical Applications

- Car-op panel
- Transom car or hub

Features:

- Passing chime output
- Live video option
- Self testing
- Low profile
- Elite designer software
- Elite transfer software
- Multi-car capabilities for hallway use

TO ORDER: - EX104 - A X

SERIES:

"L" = MAIN

"W" = VIDEO

"A" = AUXILIARY PANEL LINK

TYPE:

"M" = MAIN

"R" = REMOTE