

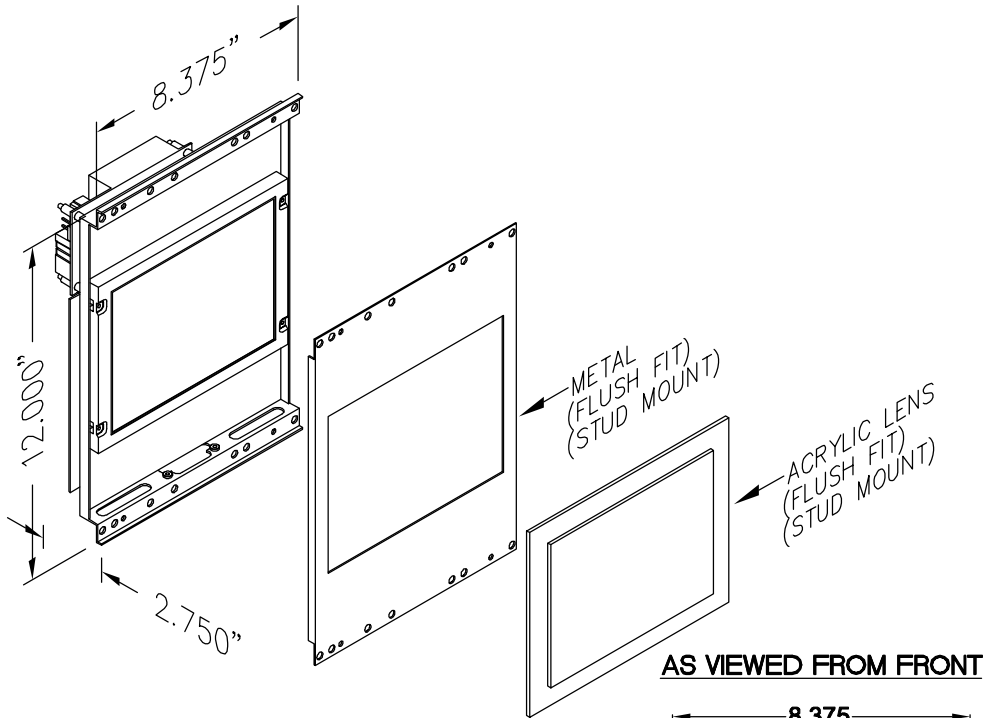


C.E. Electronics, Inc.  
 2107 Industrial Drive  
 Bryan, OH 43506  
 PH (419) 636-6705 FX (419) 636-2516  
 www.ceelectronics.com

# EX084-CXX

Ver. 1 Rel. 01/25/06

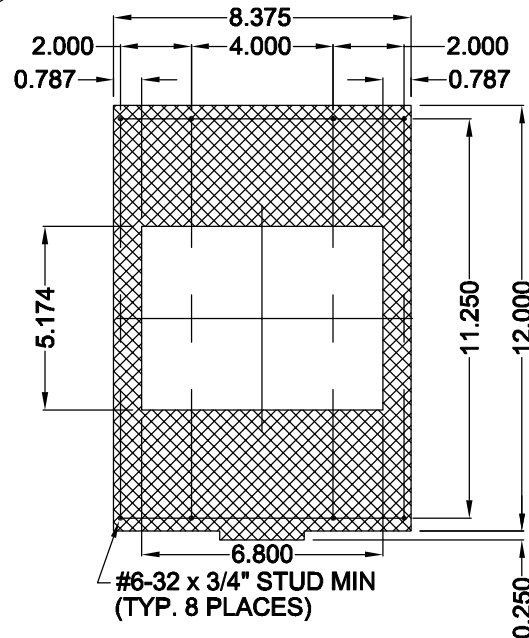
ELITE PI<sup>®</sup>



UNIT IS 2.75" DEEP.  
 AUXILIARY: 2.125" DEEP.

Standard lens: add .125".

Additional space may be required for wiring.



## 8.4" Elite PI

The Micro Comm Elite PI is the most flexible position indicator available. With the Elite PI Designer software, you can customize your own position indicator by selecting background colors and textures, fonts, and arrow styles. This system is so flexible you can even determine where the display elements appear on the screen. In addition to design flexibility, the Micro Comm Elite PI can display floor, priority, and time-based messages.

### Typical Applications

- Car operating panel
- Car transom
- Lobby

### Features:

- Passing chime output
- Live video (optional)
- Self testing
- Low profile
- Elite PI Designer software
- Elite PI Transfer software
- Multi-car capabilities for hallway use

## TO ORDER: - EX084 - C XX

### SERIES:

- "L" = STANDARD
- "W" = COMPOSITE VIDEO
- "A" = AUXILIARY PANEL LINK

### VIDEO TYPE:

- "N" = NTSC
- "P" = PAL

TIME ZONE  
 SEE RELATED DRAWING

RELATED DRAWINGS	
DESCRIPTION	DRAWING NAME
PANEL PREP.	PP084-1
DETAIL DIM.	DD084-1
TIME ZONES	T-ZONES