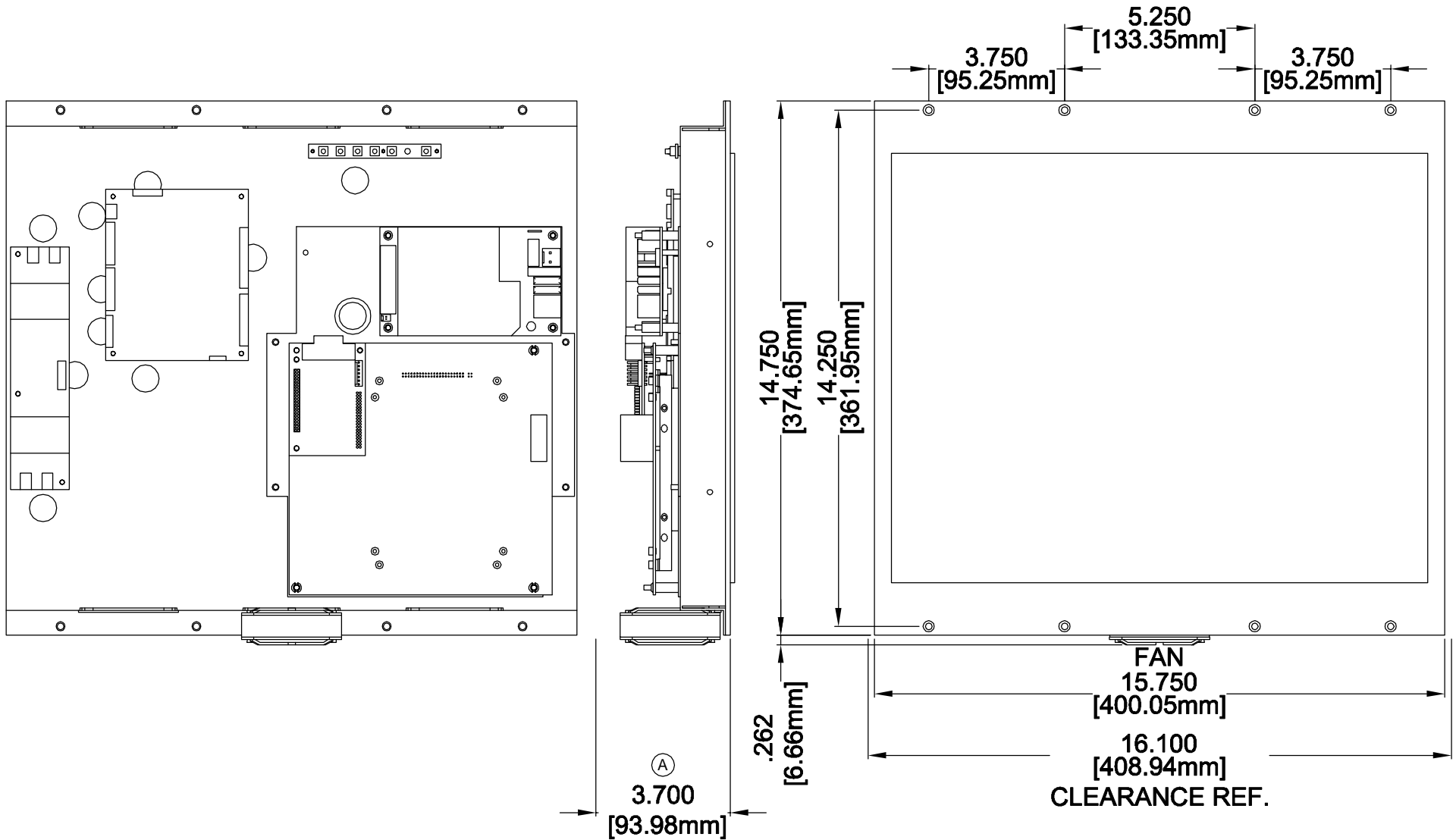


# DD190-1

Ver. 1 Rel. 12/21/07



**NOTES:**

STANDARD 19 TFT UNIT:

- (A) Recommended minimum depth with basic unit of at least 3.825" [97.155mm] with a standard 1/8" step lens.

LENS NUMBER:	BOARD # & REV:
APPROVED BY:	
Signature: _____	
Date: _____	
Company: _____	

DATE DRAWN: 12/21/07	LAST DATE REVISED:	SCALE NONE	PART #:
DRAWN BY: D.W.S.	TOLERANCE UNLESS OTHERWISE SPECIFIED: +0.015,-0.015		C.E. ELECTRONICS, INC. 2107 Industrial Drive Bryan, Ohio 43506 (419) 636-6705
REQUESTED BY:	TOLERANCE FOR CUTOFF (WINDOW): +0.020,-0.000		
TITLE:	DWG. NO. DD190-1	REV:	