

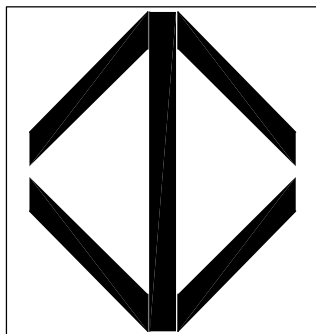
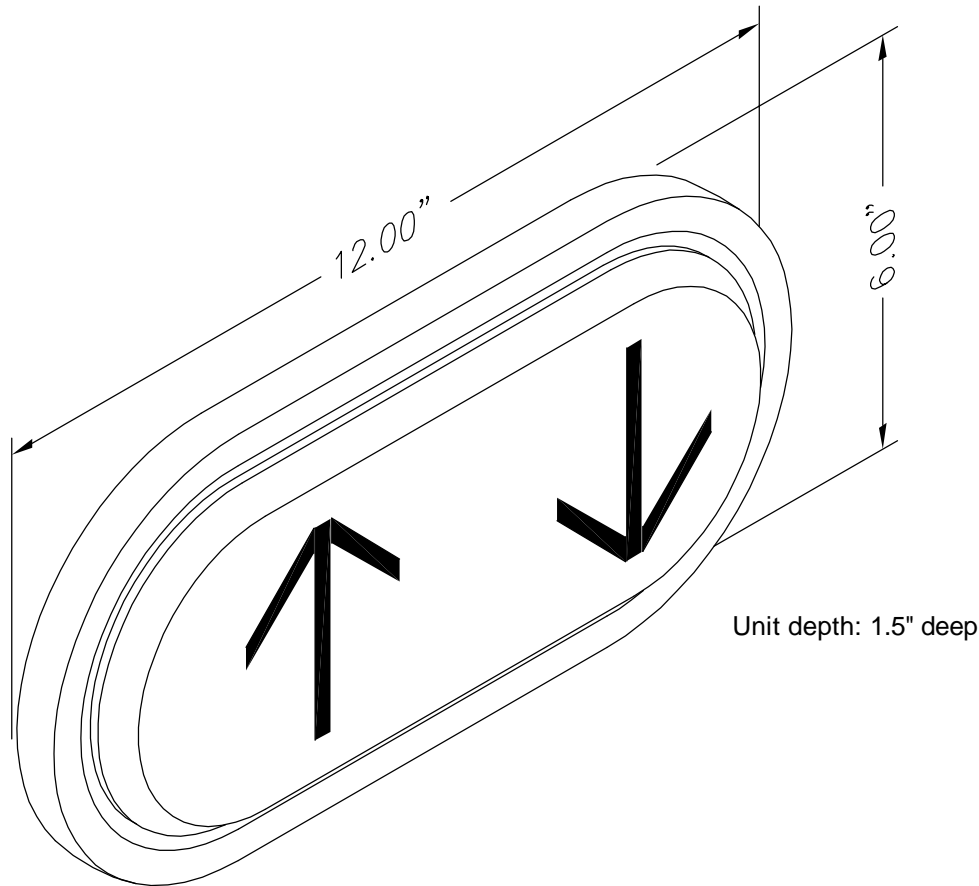


C.E. Electronics, Inc.
 2107 Industrial Drive
 Bryan, OH 43506
 PH (419) 636-6705 FX (419) 636-2516
www.ceelectronics.com

GTDH-MXX

Ver. 2 Rel. 4/02/08

CLASSIC
 SERIES



3.0" ARROW

Long life, solid state bi-color arrow for lanterns, 100,000 hour rated life. Accepts existing signals over the C.E. serial Micro Comm link. It includes a bi-color arrow which is green in the up direction and red in the down. The unit is also equipped with an arrival gong.

Typical Applications

- Hall and car lanterns

Features

- Bi-color 3" arrow
- Red down/green up
- 1 year factory warranty
- Conforms to ADAAG 4.10.4
- Includes gong

TO ORDER - SPECIFY GTDV - MXX

SIGNAL VOLTAGE:

"M" = MICRO COMM ONLY

GONG CHOICE:

"X" = NO CHOICE (DEFAULT)

METAL CHOICE:

"1" = STAINLESS STEEL #4

"2" = STAINLESS STEEL #8

"3" = MUNTZ #4

"4" = MUNTZ #8

"X" = NO METAL