



REMOTE DISPLAY INDICATOR "RDI"

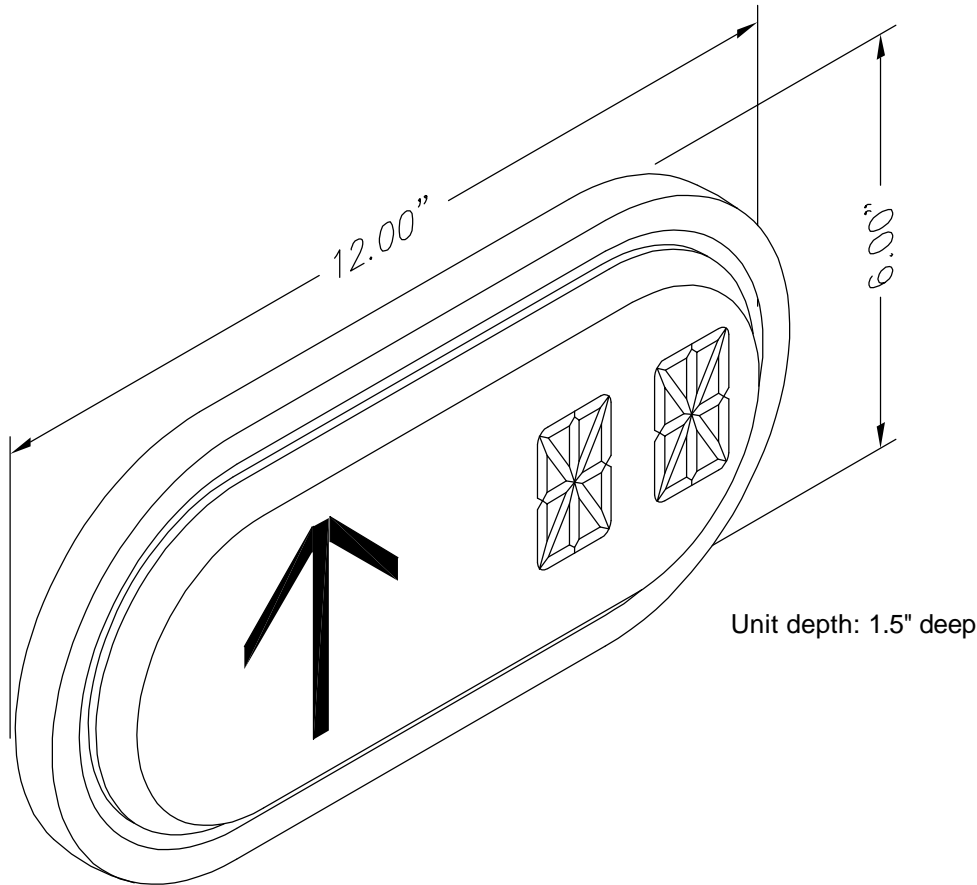
Long life, solid state arrow for lanterns, 100,000 hour rated life. Accepts existing signals over the C.E. serial Micro Comm link. The unit has a double digit 2" display. It includes a bi-color arrow which is green in the up direction and red in the down or solid blue. The unit is also equipped with an arrival gong.

Typical Applications

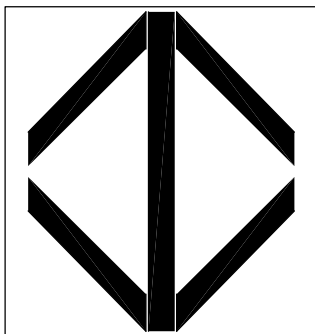
- Hall and car lanterns
- Combo position Indicator, Lanterns

Features

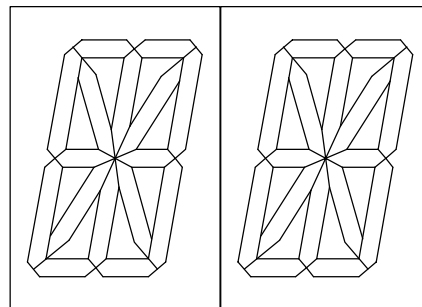
- Bi-color 3" arrow or solid blue
- 2" characters red or blue
- 1 year factory warranty
- Includes gong



Unit depth: 1.5" deep



3.0" ARROW



2" CHARACTERS

TO ORDER - SPECIFY GTCH - MXXX

SIGNAL VOLTAGE:

"M" = MICRO COMM ONLY

GONG CHOICE:

"X" = NO CHOICE (DEFAULT)

METAL CHOICE:

"1" = STAINLESS STEEL #4

"2" = STAINLESS STEEL #8

"3" = MUNTZ #4

"4" = MUNTZ #8

"X" = NO METAL

COLOR:

"B" = BLUE LANTERN, BLUE DIGITS

"X" = BICOLOR LANTERN, RED DIGITS