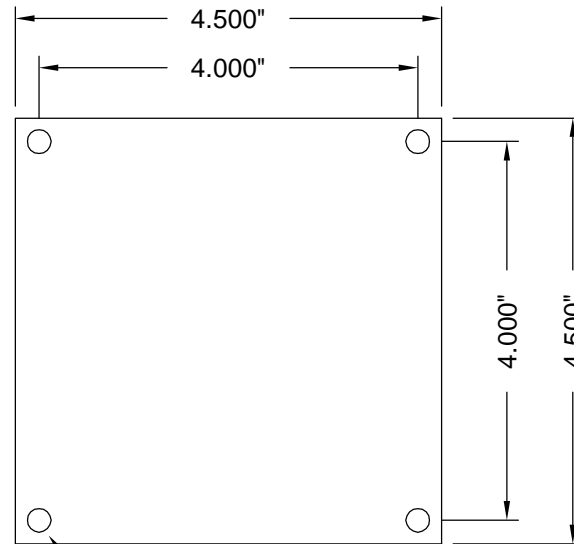


## DECODER CARD

Thirty-one or fifty-five input to binary output decoder board. Converts discrete floor inputs to binary, to minimize number of wires in hoistway.

### Features:

- Simple diode matrix design
- 1 year factory warranty
- 1 amp silicon decoding diodes
- Reliable terminal block hookup
- Accepts voltages of 5 to 400 volts



#6-32 x 1.0" STUD MIN.  
 (TYP. 4 PLACES)

TO ORDER:-SPECIFY SCXX - X

NUMBER OF INPUTS:

"31" = 31 INPUT

"55" = 55 INPUT

POLARITY:

"P" = POSITIVE INPUT

"N" = NEGATIVE INPUT