



C.E. Electronics, Inc.
2107 Industrial Drive
Bryan, OH 43506
PH (419) 636-6705 FX (419) 636-2516
www.ceelectronics.com

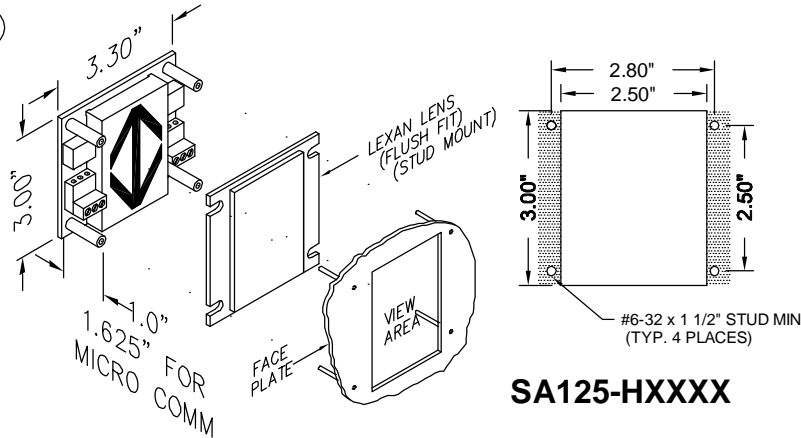
SA125-XXXX

Ver. 5 Rel. 04/22/10

ACCESSORIES

RENEWAL PARTS

- Lens: 104-5503 RED
- Lens: 104-6041 GRAY
- Lens: 104-9041 BLUE

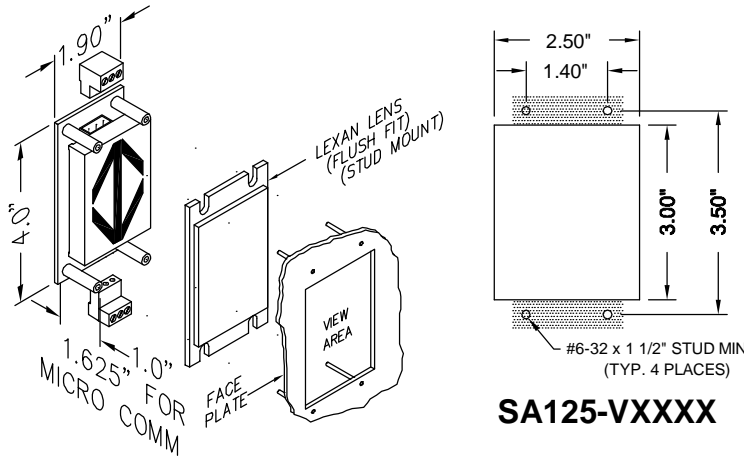


SA125-HXXXX

SA125-HXXXX
(NOTE: On MICRO COMM units, depth is 1.625")

RENEWAL PARTS

- Lens: 104-5504 RED
- Lens: 104-6042 GRAY
- Lens: 104-9042 BLUE



SA125-VXXXX

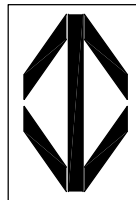
SA125-VXXXX
(NOTE: On MICRO COMM units, depth is 1.625")

INPUT CONNECTION

THREE WIRES REQUIRED:
UP, DOWN, AND COMMON

OUTPUT CONNECTION

FOR C.E. #TGXXX-XXX
ELECTRONIC HANDICAP CHIME
OR OTHER AUDIBLE DEVICE



2.5" character

NOTE:

- If a special voltage is required, please consult factory.

2.5" LED ARROW

Long life, solid state arrow for lanterns, 100,000 hours rated life. Accepts signals from 6 to 120 volts, AC or DC. Comes with output terminals for electronic chimes or electromechanical gongs.

Typical applications:

- Car-op panel
- Transom-car or hall

Features:

- Ultra-thin packaging
- Jamb mountable
- Fast, 3 wire hookup
- 1 year factory warranty
- Order in red or green LED displays

TO ORDER:-SPECIFY SA125 - X X X X X

ORIENTATION:
"H" = HORIZONTAL
"V" = VERTICAL

COLOR:
"R" = RED
"G" = GREEN
(120VAC Vertical Only) "B" = BLUE

SIGNAL VOLTAGE:
"A" = +6VDC, 12VAC
"B" = -6VDC
"C" = +12VDC, 24VAC
"D" = -12VDC
"E" = +20VDC
"F" = -20VDC
"G" = +24VDC
"H" = -24VDC
"I" = +28VDC
"J" = -28VDC
"K" = +32VDC
"L" = -32VDC
"N" = +36VDC
"O" = -36VDC
"P" = 48VAC
"Q" = +48VDC
"R" = -48VDC
"S" = +60VDC
"T" = -60VDC
"U" = 120VAC
"V" = +125VDC
"W" = -125VDC
"M" = MICRO COMM

LENS:
"R" = RED
"G" = GRAY
"B" = BLUE
"X" = NO LENS

SIGNAL (ARRIVAL or TRAVELING,
ONLY if MICRO COMM)

"A" = ARROW PORT A
"T" = ARROW PORT T
"X" = NON-MICRO COMM build