

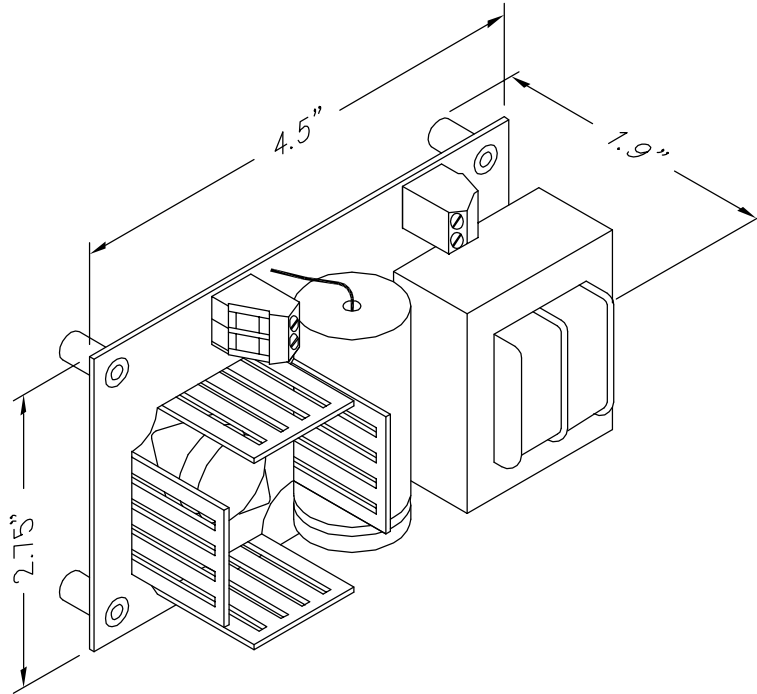


C.E. Electronics, Inc.
 2107 Industrial Drive
 Bryan, OH 43506
 PH (419) 636-6705 FX (419) 636-2516
www.ceelectronics.com

PS501/PS801/PS121

Ver. 1 Rel. 05/24/02

ACCESSORIES



PS501 POWER SUPPLY

Regulated D.C. power supply outputs a constant 5 volts D.C. @ up to 1 amp. Input requires 110VAC 50/60 Hz.

TO ORDER - SPECIFY PS501

PS801 POWER SUPPLY

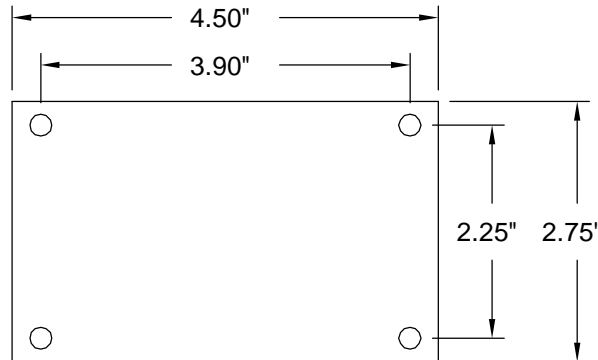
Regulated D.C. power supply outputs a constant 8 volts D.C. @ up to 1 amp. Input requires 110VAC 50/60 Hz.

TO ORDER - SPECIFY PS801

PS121 POWER SUPPLY

Regulated D.C. power supply outputs a constant 12 volts D.C. @ up to 1 amp. Input requires 110VAC 50/60 Hz.

TO ORDER - SPECIFY PS121



Features:

- Regulated and filtered
- Reliable terminal block hookup
- 1 year factory warranty
- Compact design
- Fast screw down mount