

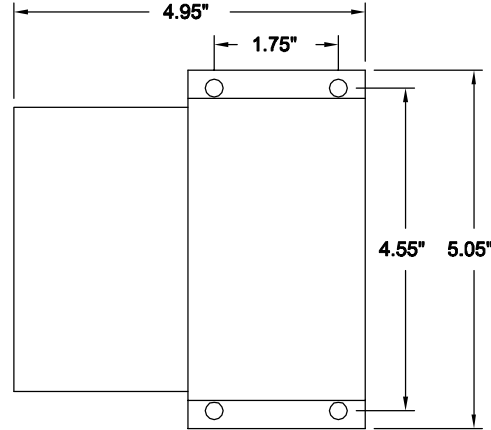
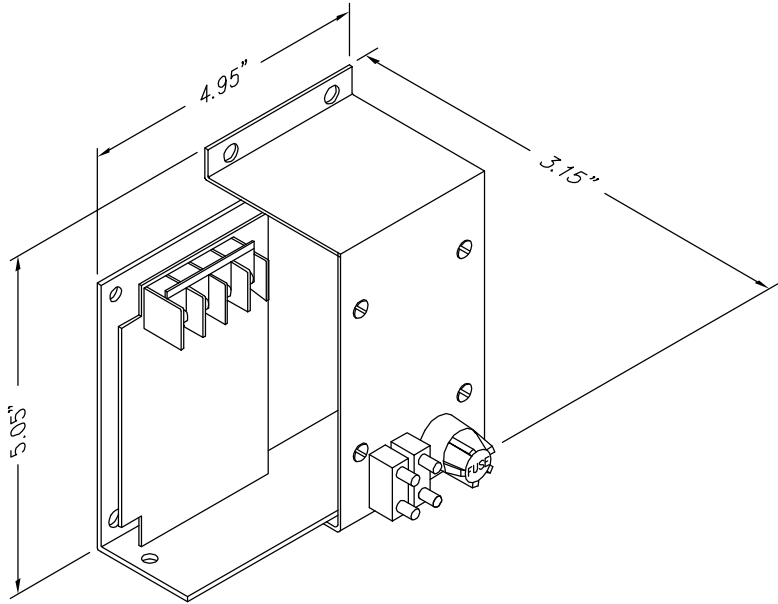


C.E. Electronics, Inc.
 2107 Industrial Drive
 Bryan, OH 43506
 PH (419) 636-6705 FX (419) 636-2516
 www.cseelectronics.com

PS241/243

Ver. 1 Rel. 06/17/02

ACCESSORIES



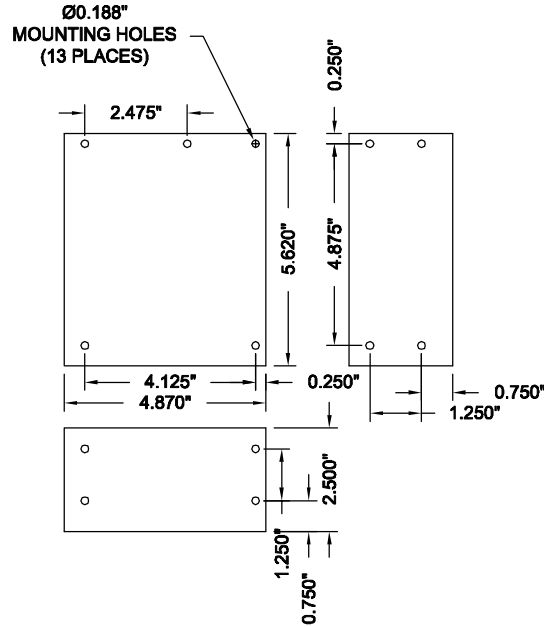
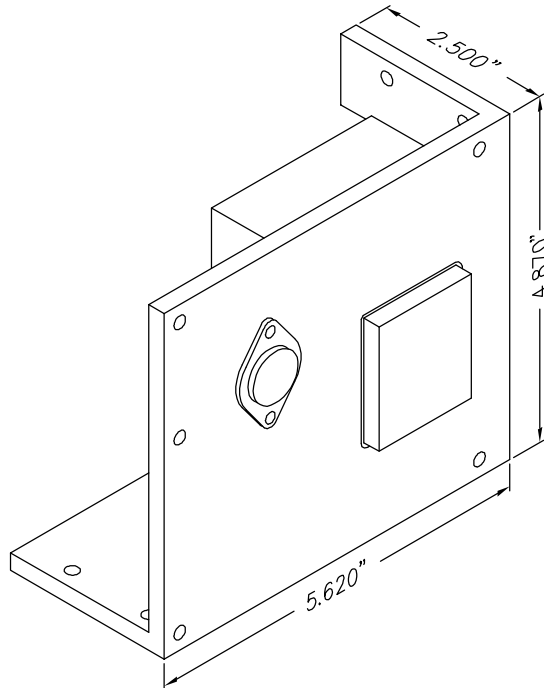
PS241 POWER SUPPLY

Regulated D.C. power supply outputs a constant 24 volts D.C. @ up to 1.2 amps. Input requires 110VAC 50/60 Hz. Terminal block hookup is provided along with fuse.

Features:

- Solid state device
- Compact design
- Low cost

TO ORDER - SPECIFY PS241



PS243 POWER SUPPLY

Regulated D.C. power supply outputs a constant 24 volts D.C. @ up to 3 amps. Input requires 110VAC 50/60 Hz. Terminal block hookup is provided along with fuse.

Features:

- Solid state device
- Compact design
- Low cost

TO ORDER - SPECIFY PS243