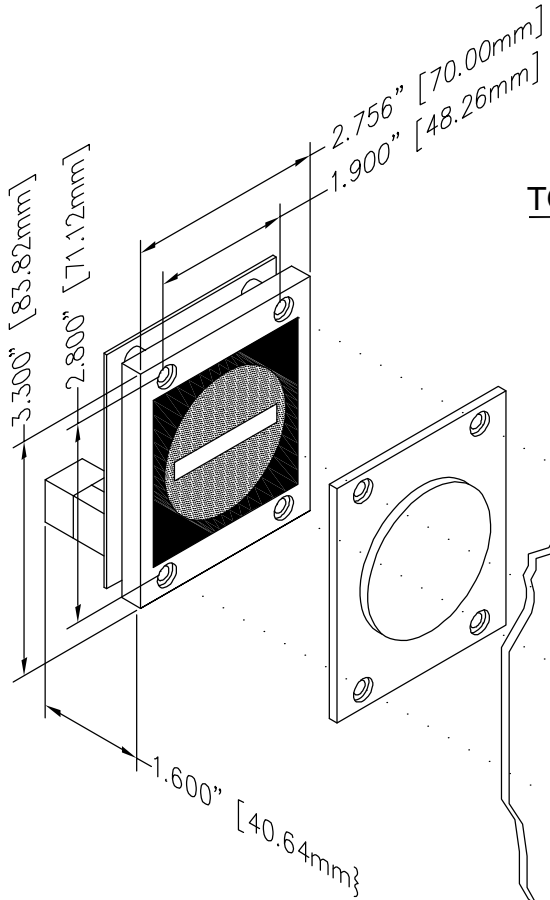




# NO ENTRY-XX

Ver. 4 Rel. 05/29/09



## TO ORDER:-SPECIFY NO ENTRY - X X

### DISPLAY SIZE:

- "1" = 50mm
- "2" = 25mm

### SIGNAL FORMAT:

- "1" = MICROCOMM MESSAGE
- "2" = CONSTANT CURRENT +/-18 - 130VAC/DC

## NO ENTRY DISPLAY

Display shows illuminated no entry symbol.

Complies with European standard EN81-73 Section 5.3.8 for lift operation in the event of fire.

Two size symbols are available, 50mm or 25 mm.

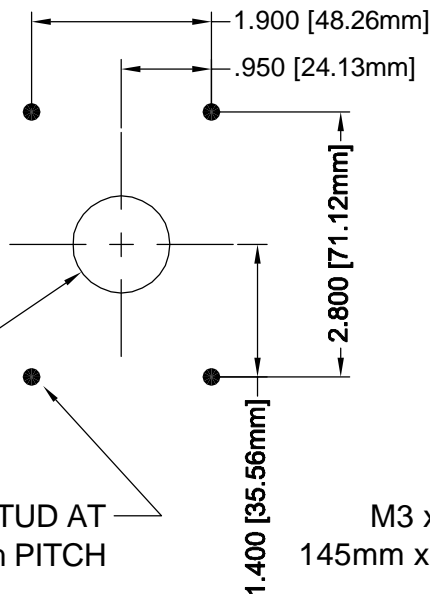
Constant current version operates on any AC or DC voltage from 18 to 130.

Microcomm version responds to emergency message signals of your choice.

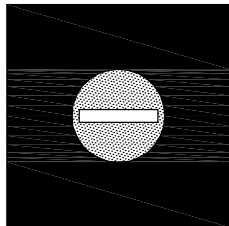
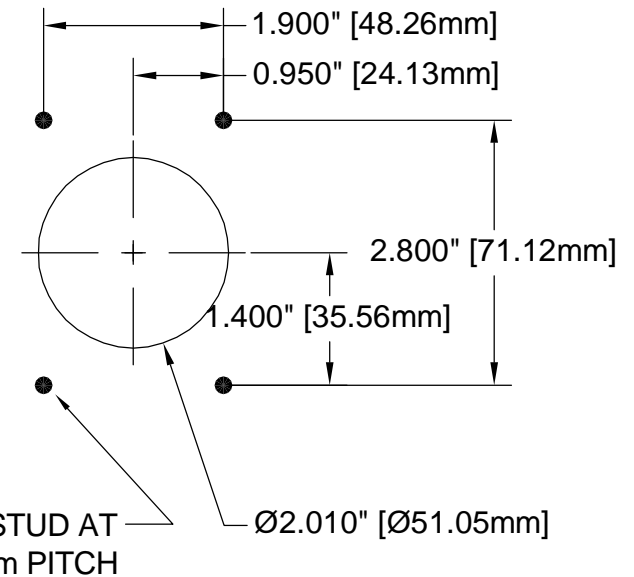
### Features:

- Two sizes, 50mm or 25mm
- Two signal input types

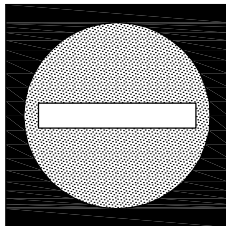
### 25mm PANEL PREP



### 50mm PANEL PREP



25mm



50mm