

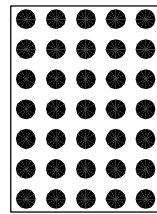
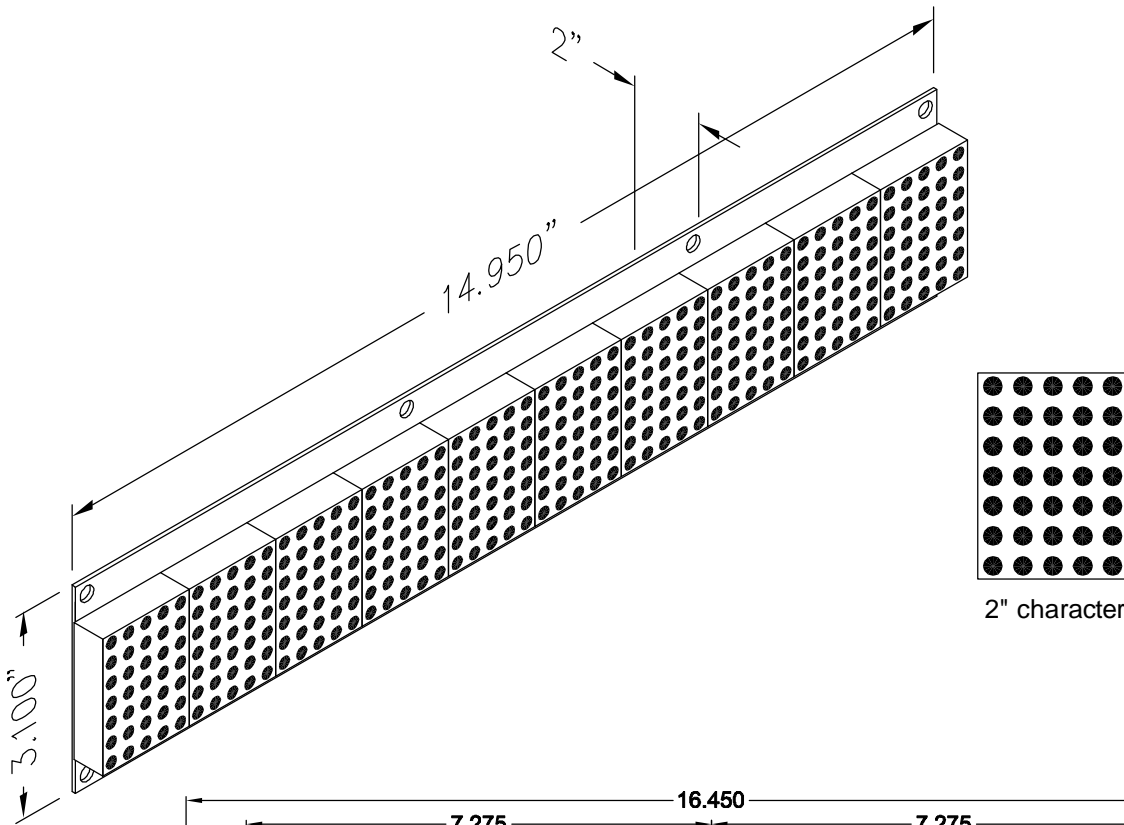


C.E. Electronics, Inc.
 2107 Industrial Drive
 Bryan, OH 43506
 PH (419) 636-6705 FX (419) 636-2516
 www.ceelectronics.com

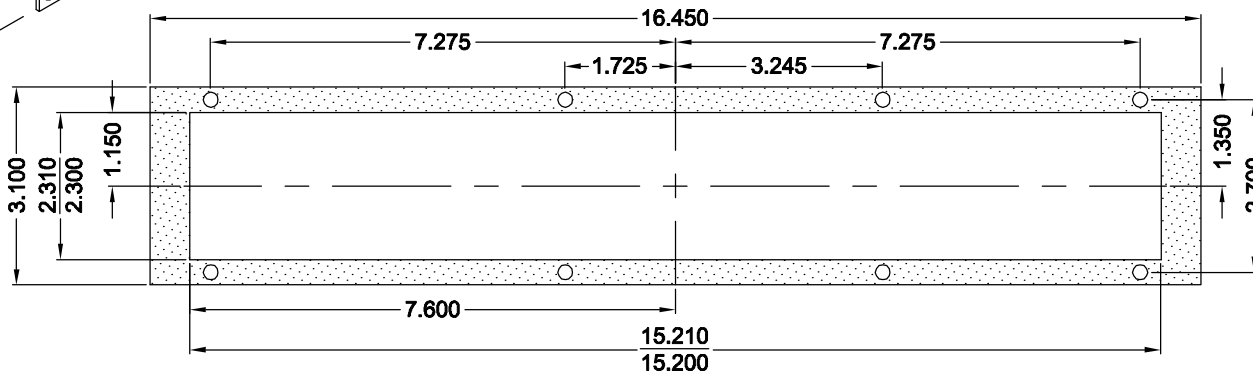
MSV40-XXXX

Ver. 4 Rel. 1/20/2011

ACCESSORIES



2" character



NOTE:

1. If a special voltage is required, please consult factory.
2. To display time, date, or temperature, must purchase as a system which includes MTIME-X and MRPOG module. A computer interface is optional.

SCROLLING MESSAGE DISPLAY

Versatile scrolling message displays any alphanumeric character within a 2 inch LED 10 digit screen. Various messages can be selected via binary inputs or through C.E.'s Micro Comm 3 wire network. When used with Mtime-x the time, date, and temperature can be displayed as part of a message or it can be shown in a static format. The display is capable of 63 different messages (119 characters per message max). The display is capable of continuous scrolling or can be programmed to scroll in and stop then flash.

Features:

- 63 messages
- Flashing
- Binary inputs
- Micro Comm inputs
- 10-150VAC/DC inputs
- Scroll in, scroll out
- Adjustable continuous scrolling rate

TO ORDER:-SPECIFY MSV40 - X X X X

COLOR:
 "R" = RED
 "A" = AMBER
 "G" = GREEN

SIGNAL VOLTAGE:
 "A" = POSITIVE 6-20VAC/DC, 24 VAC
 "B" = POSITIVE 24-48VDC, 48VAC
 "C" = POSITIVE 120VAC
 "D" = POSITIVE 125VDC
 "E" = NEGATIVE 6-20VDC
 "F" = NEGATIVE 24-48VDC
 "G" = NEGATIVE 125VDC
 "M" = MICRO COMM

SIGNAL FORMAT:
 "1" = SINGLE LINE/FLOOR *
 "2" = BINARY
 "3" = UNITS & TENS *
 "4" = GRAY CODE
 "5" = INVERTED BINARY
 "6" = SPECIAL
 "M" = MICRO COMM

LENS:
 "R" = RED
 "G" = GRAY
 "X" = NO LENS

RENEWAL PARTS

Lens: 104-5661 RED
 Lens: 104-6661 GRAY

* MAY NEED ADDITIONAL DECODER CARD
 * REMOTE POWER SUPPLY