

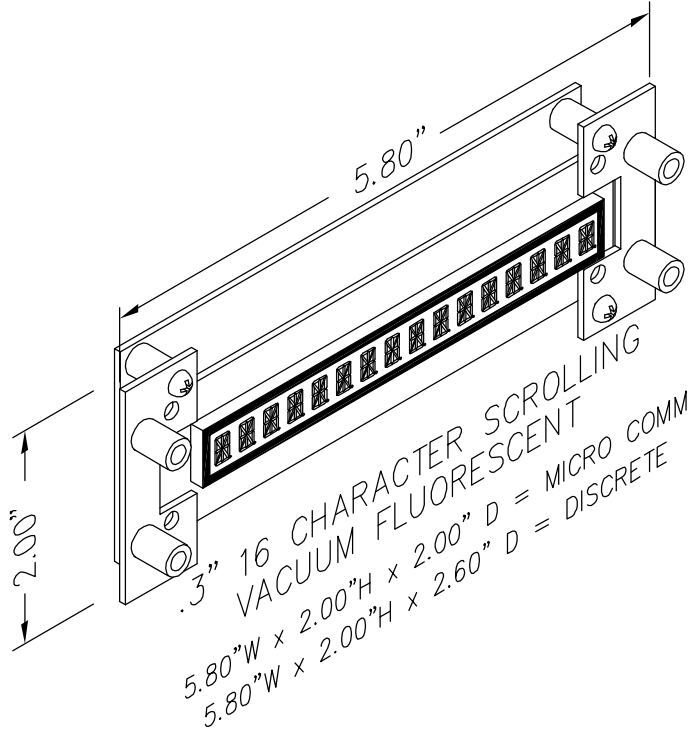


C.E. Electronics, Inc.  
 2107 Industrial Drive  
 Bryan, OH 43506  
 PH (419) 636-6705 FX (419) 636-2516  
 www.ceelectronics.com

# MSV03-XXXX

Ver. 2 Rel. 10/31/08

ACCESSORIES



**NOTE:**  
 Call for Availability

### RENEWAL PARTS

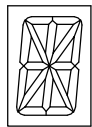
Lens: 104-6053 GRAY

### SCROLLING MESSAGE DISPLAY

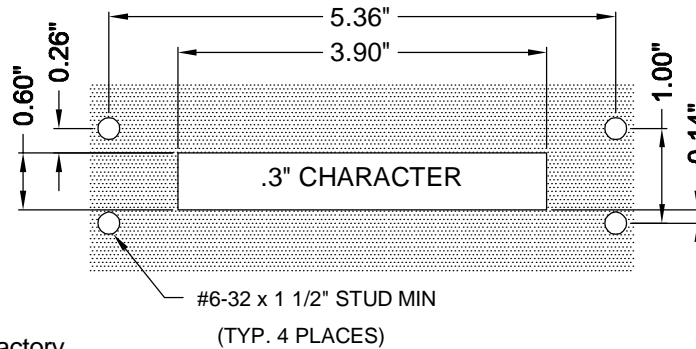
Versatile scrolling message displays any alphanumeric character within a .3 inch V.F. 16 digit screen. Various messages can be selected via binary inputs or through C.E.'s Micro Comm 3 wire network. When used with Mtime-x the time, date, and temperature can be displayed as part of a message or it can be shown in a static format. The display is capable of 63 different messages (119 characters per message max). The display is capable of continuous scrolling or can be programmed to scroll in and stop then flash.

#### Features:

- 63 messages
- Scroll in, scroll out
- Continuous scroll
- Adjustable flashing
- Adjustable blanking
- Binary inputs
- 10-150VAC/DC inputs



.3" character



### TO ORDER:-SPECIFY MSV03 - X X X X

COLOR:  
 "B" = BLUE  
 "G" = GREEN

SIGNAL VOLTAGE:  
 "A" = POSITIVE 6-20VAC/DC, 24 VAC  
 "B" = POSITIVE 24-48VDC, 48VAC  
 "C" = POSITIVE 120VAC  
 "D" = POSITIVE 125VDC  
 "E" = NEGATIVE 6-20VDC  
 "F" = NEGATIVE 24-48VDC  
 "G" = NEGATIVE 125VDC  
 "M" = MICRO COMM

SIGNAL FORMAT:  
 "1" = SINGLE LINE/FLOOR \*  
 "2" = BINARY  
 "3" = UNITS & TENS \*  
 "4" = GRAY CODE  
 "5" = INVERTED BINARY  
 "6" = SPECIAL  
 "M" = MICRO COMM - 2.0" DEEP

LENS:  
 "G" = GRAY  
 "X" = NO LENS

\* MAY NEED ADDITIONAL DECODER CARD  
 \* REMOTE POWER SUPPLY

#### NOTE:

1. If a special voltage is required, please consult factory.
2. To display time, date, or temperature, must purchase as a system which includes MTIME-X and MRPOG module. A computer interface is optional.