

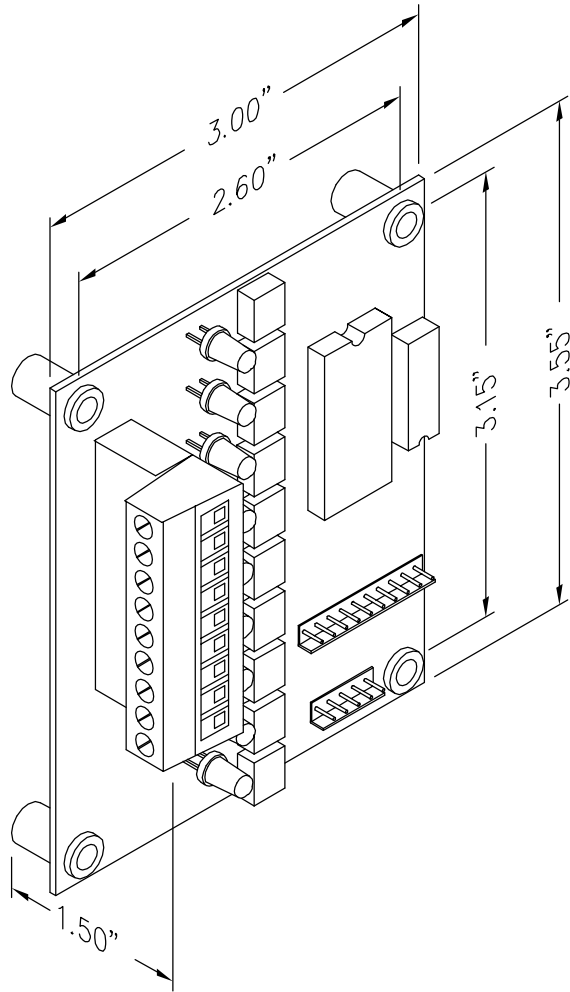


C.E. Electronics, Inc.
 2107 Industrial Drive
 Bryan, OH 43506
 PH (419) 636-6705 FX (419) 636-2516
www.ceelectronics.com

MSCRD-X

Ver. 1 Rel. 05/24/02

ACCESSORIES



SMART INTERFACE CARD

The smart interface card was designed to interface to non standard customer specified formats. The unit is micro processor based which enables it to perform logic functions. It can take up to 9 inputs and has a parallel or serial output. The card is also equipped with LED's for easy diagnostics.

Features:

- Easy installation
- Increased flexibility
- Improved diagnostics
- Low cost
- 9 inputs
- Parallel or serial outputs
- Micro processor controlled

TO ORDER:-MSCRD - X

SIGNAL VOLTAGE:

- "A" = POSITIVE 6-20VAC/DC, 24 VAC
- "B" = POSITIVE 24-48VDC, 48VAC
- "C" = POSITIVE 120VAC
- "D" = POSITIVE 125VDC
- "E" = NEGATIVE 6-20VDC
- "F" = NEGATIVE 24-48VDC
- "G" = NEGATIVE 125VDC

NOTE:

If a special voltage is required, please consult factory.