

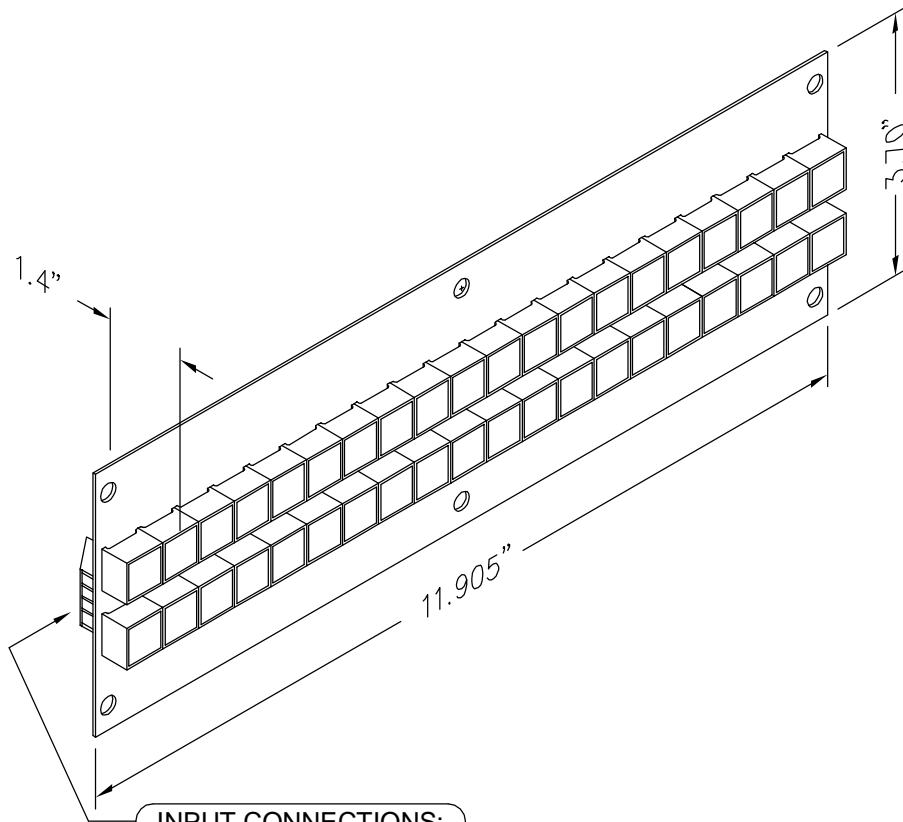


C.E. Electronics, Inc.
 2107 Industrial Drive
 Bryan, OH 43506
 PH (419) 636-6705 FX (419) 636-2516
 www.ceelectronics.com

MLITE3-XX

Ver. 1 Rel. 06/17/02

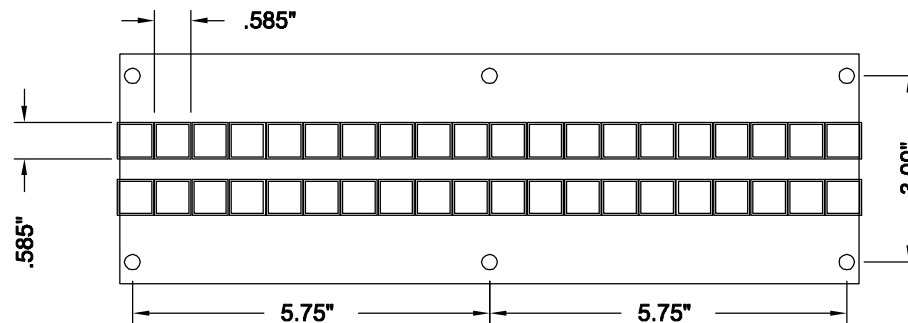
ACCESSORIES



INPUT CONNECTIONS:

MAY REQUIRE ADDITIONAL POWER SUPPLY

PS _____



MLITE3-XX LED INDICATOR DISPLAY

40 independent input status indicator. Any individual character can be displayed in virtually any font style. Unit useful for indicating MG Lites, hall calls or any other elevator status indications.

Features:

- Compact design
- Simple hookup
- 1 year factory warranty

TO ORDER - SPECIFY MLITE3 - X X

COLOR:

- "R" = RED
- "A" = AMBER
- "G" = GREEN

SIGNAL VOLTAGE:

- "A" = POSITIVE 6-20VAC/DC, 24 VAC
- "B" = POSITIVE 24-48VDC, 48VAC
- "C" = POSITIVE 120VAC
- "D" = POSITIVE 125VDC
- "E" = NEGATIVE 6-20VDC
- "F" = NEGATIVE 24-48VDC
- "G" = NEGATIVE 125VDC

NOTE:

If a special voltage is required, please consult factory.