



C.E. Electronics, Inc.
 2107 Industrial Drive
 Bryan, OH 43506
 PH (419) 636-6705 FX (419) 636-2516
 www.ceelectronics.com

MLITE1-XX

Ver. 1 Rel. 05/23/02

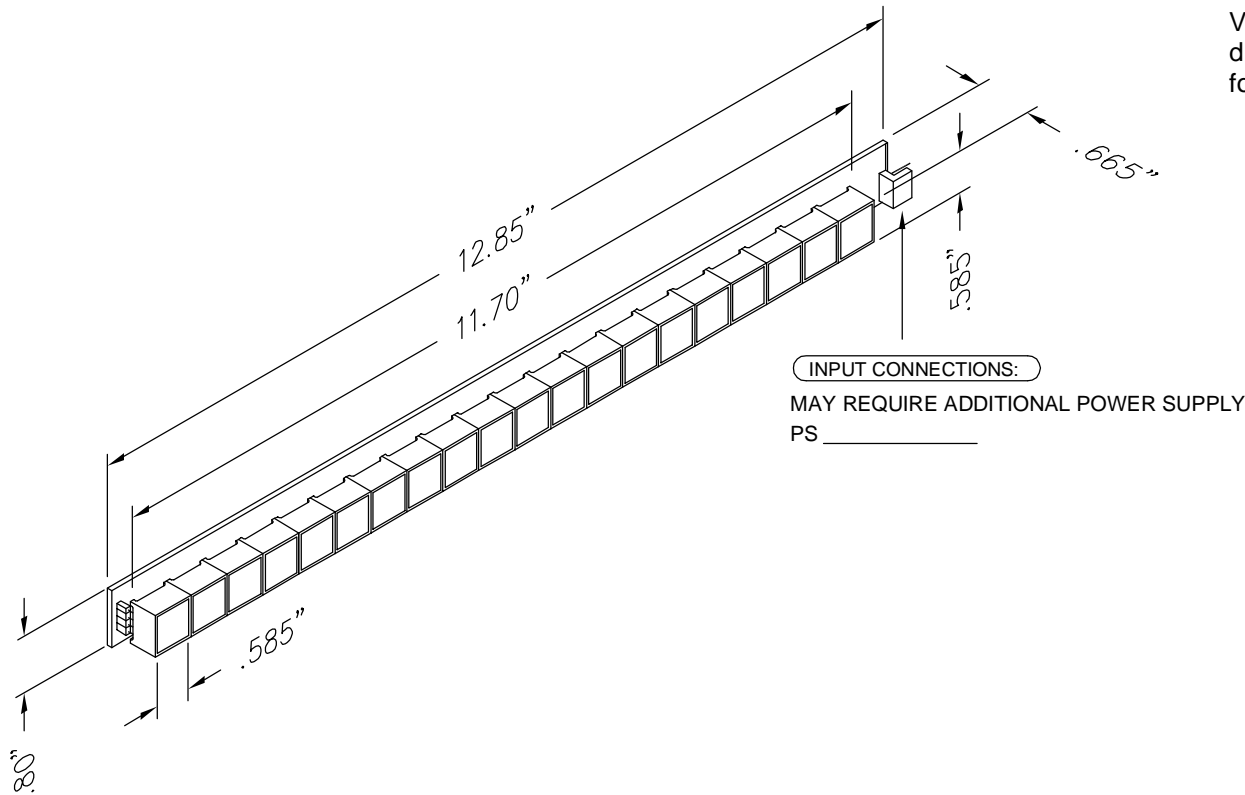
ACCESSORIES

MLITE1-XX LED MESSAGE DISPLAY

Versatile, variable length (up to 20 characters) message display. Any character can be displayed, in virtually any font style. Useful for single message, on-off applications.

Features:

- Compact design
- Simple hookup
- 1 year factory warranty



TYPICAL APPLICATIONS:

OUT OF SERVICE
 EXPRESS SERVICE
 EMERGENCY USE ONLY

TO ORDER - SPECIFY MLITE1 - X X and DESIRED MESSAGE

COLOR:

"R" = RED
 "A" = AMBER
 "G" = GREEN

SIGNAL VOLTAGE:

"A" = POSITIVE 6-20VAC/DC, 24 VAC
 "B" = POSITIVE 24-48VDC, 48VAC
 "C" = POSITIVE 120VAC
 "D" = POSITIVE 125VDC
 "E" = NEGATIVE 6-20VDC
 "F" = NEGATIVE 24-48VDC
 "G" = NEGATIVE 125VDC

NOTE:

If a special voltage is required, please consult factory.