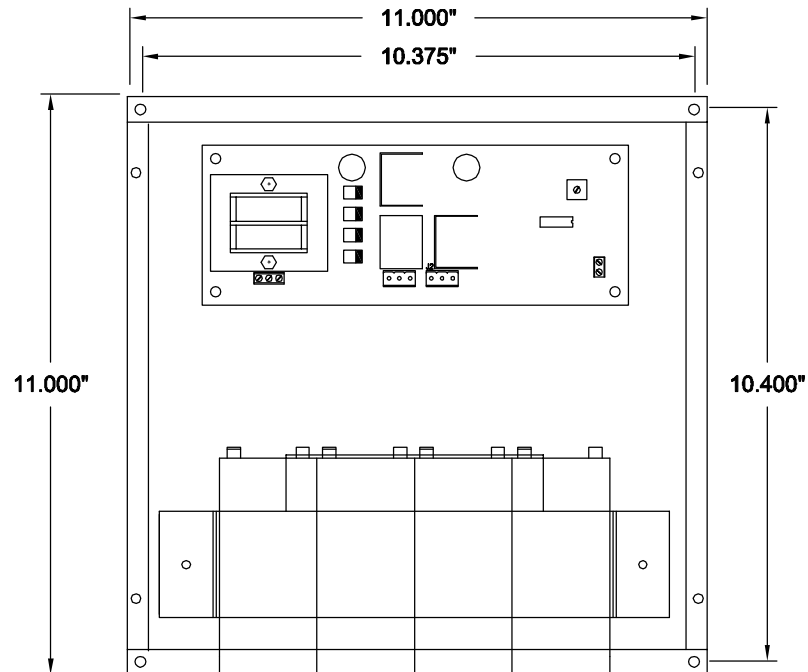
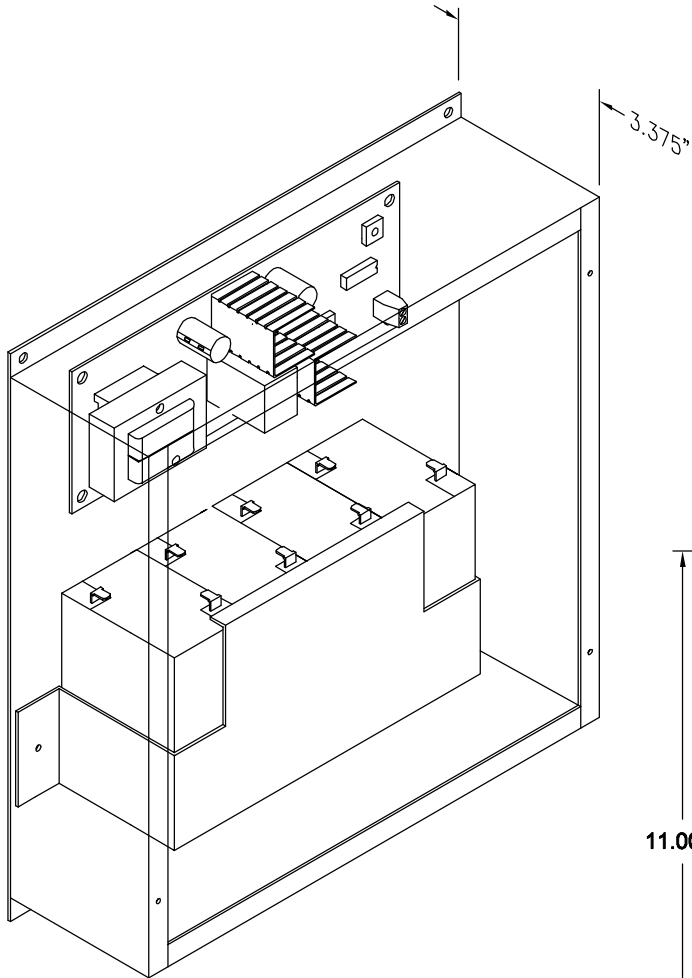




BATTERY BACK-UP FOR POSITION INDICATORS

Battery back-up for Micro Comm 3 wire network. With this unit, the last known position of a car will be displayed for a minimum of 3 hours, enabling a quick location of the car in the event of a power outage. This unit is also used to stabilize input voltage to the Micro Comm system in the event of fluctuating building power.



Features:

- Operating LED indicator
- Low voltage LED indicator
- Charging LED indicator

TO ORDER 120VAC - SPECIFY MBATT

TO ORDER 220VAC - SPECIFY MBATT-E