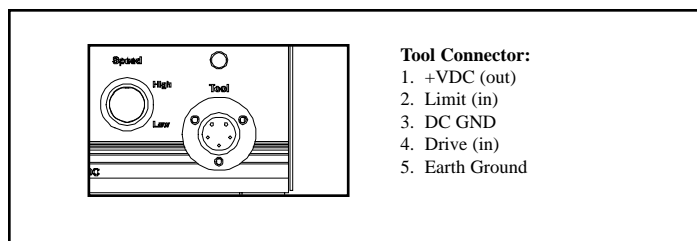
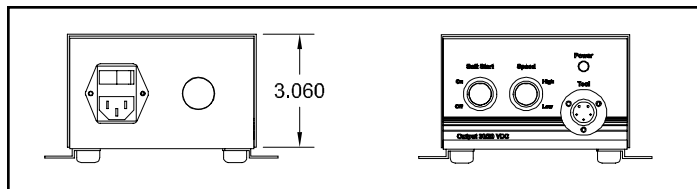
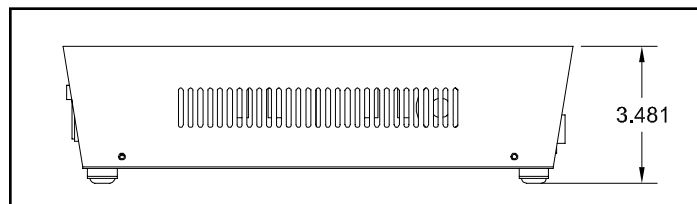
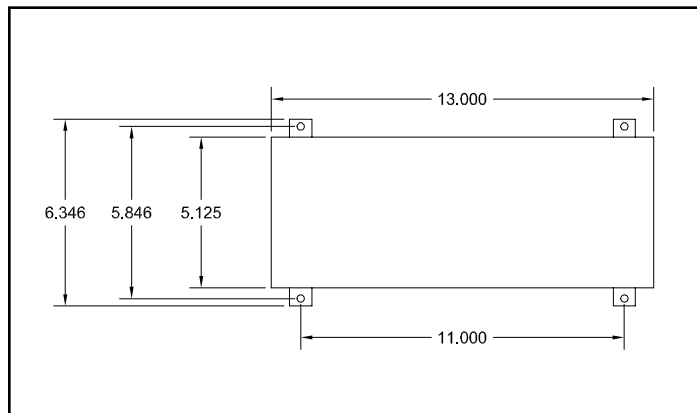
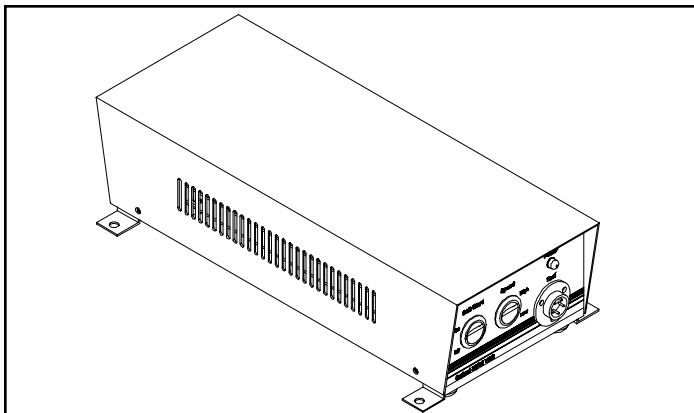


TB-75

Switching Power Supply

Specifications



Input Specifications:

Input Voltage Range	85-264 VAC
Input Current	2.2A/115VAC 1.1A/230VAC
Frequency	47-440Hz
Power Factor	$\geq 0.96/230V$, $\geq 0.98/115V$

Output Specifications:

Output Voltage (Low)	20VDC
Output Voltage (High)	30VDC
Output Power	150 Watts
Minimum Load	0A
Output Tolerance	$\pm 2\%$
Ripple Noise	150mVp-p, typical
Overload Protection	105~150%, Constant Current Limit Auto Recovery
Setup/Rise/Holdup(230VAC)	600ms/30ms/20ms

General Specifications:

Input/Output Isolation	I/P-O/P 3000VAC I/P-G 1500VAC O/P 0.5KVAC
Efficiency	80% typical
Switching Frequency	135Khz (fixed, typical)
MTBF	191,800 Hrs



CE Electronics
2107 Industrial Drive
Bryan, Ohio 43506
419-636-6705